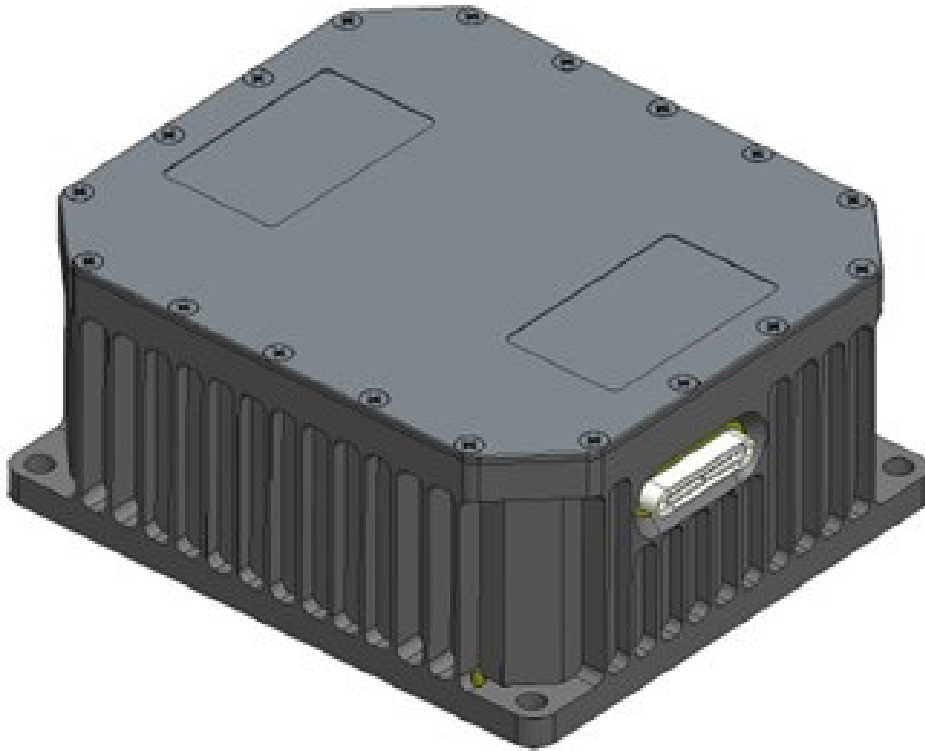
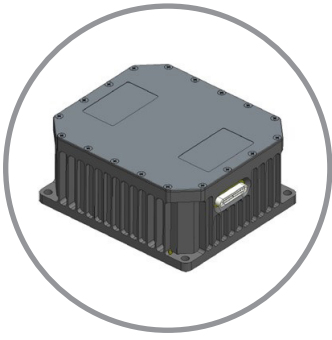


# KILAVUZ-10 TG-IMU

TACTICAL GRADE INERTIAL  
MEASUREMENT UNIT

FIBER-OPTIC GYROSCOPES  
MEMS ACCELEROMETERS





# KILAVUZ-10 TG-IMU

## TACTICAL GRADE INERTIAL MEASUREMENT UNIT

### Applications

- Navigation, Guidance and Positioning
- EO/FLIR/Camera/Radar Stabilization
- Flight Control
- AHRS

### Main Features

- 3 Fiber-Optic Gyroscopes
- 3 MEMS Accelerometers
- Synchronous RS-422 SDLC Protocol
- Custom Design and Manufacturing
- ITAR Free

### Technical Specifications

• Gyroscope Operating Range	: ±1000 °/s
• Accelerometer Operating Range	: ±35 g
• Gyroscope Bias Instability	: 1 °/hr
• Accelerometer Bias Instability	: 0.1 mg
• Gyroscope White Noise (ARW)	: 0.05 °/√hr
• Accelerometer White Noise (VRW):	250 µg/√Hz
• Data Rate	: 400 Hz - 1 kHz
• Dimensions (Diameter x Height)	: 94 mm x 100.6 mm
• Weight	: 1 kg
• Input Voltage	: +5 VDC, ±15 VDC

### Environmental Conditions

- Environmental Spec. : MIL-STD-810F

