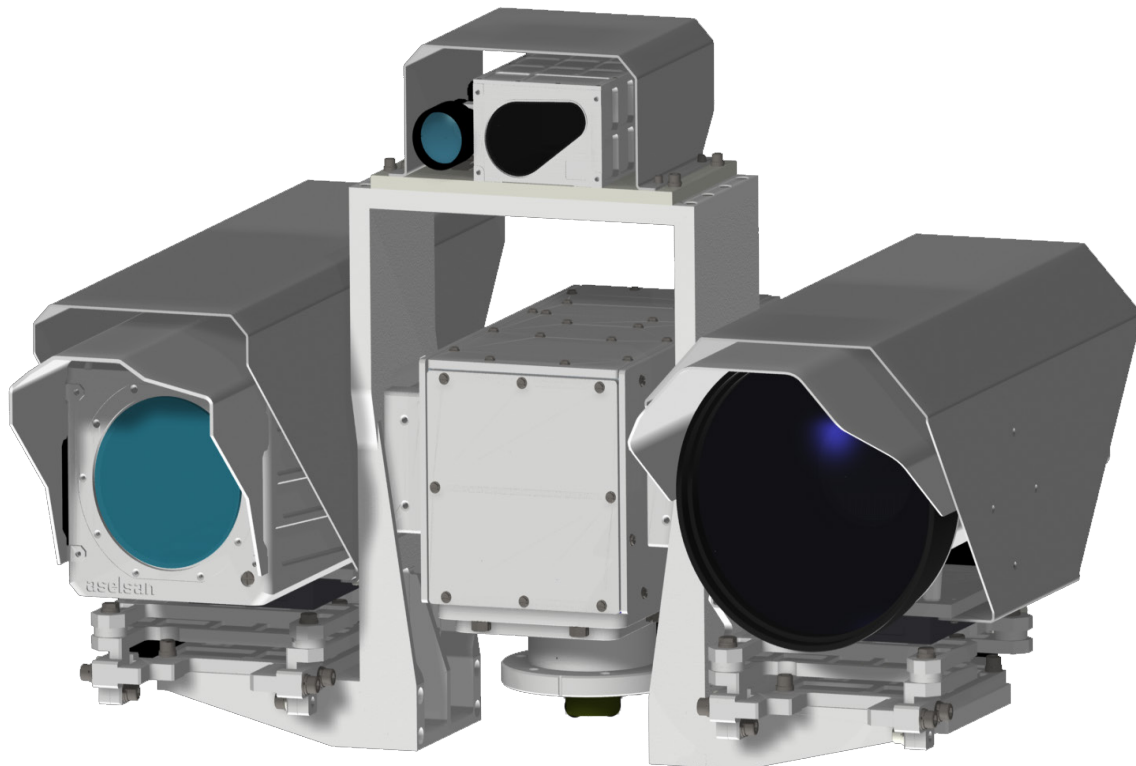


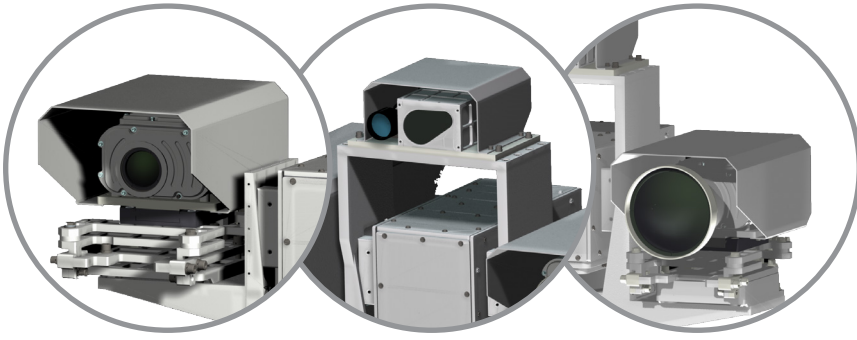
# ARYA

MOBILE ELECTRO OPTIC  
MULTI SENSOR SYSTEM

COOLED THERMAL CAMERA ALTERNATIVES  
LONG RANGE DAY-TV ALTERNATIVES  
EYE-SAFE LASER RANGE FINDER (OPTIONAL)  
MOTORIZED PAN&TILT UNIT

COMMUNICATION AND VIDEO TRANSFER VIA ETHERNET





# ARYA

## MOBILE ELECTRO OPTIC MULTI SENSOR SYSTEM

### Applications

- Border Surveillance System
- Coastal Surveillance System
- Facility Security
- Long Range Surveillance
- Law Enforcement

### System Units

- Cooled Thermal Camera Alternatives
- Day-TV Alternatives
- Laser Range Finder (Optional)
- Motorized Pan & Tilt Unit

### Main Features

- Field of View Selection
- Advanced Image Processing Algorithms
- Motorized Focus and Zoom Adjustment
- Automatic and Manuel Gain/Level Adjustment
- Polarity Change (Black hot/White hot)
- Flexible Language Structure
- Symbology Generation and User Menu
- Compliant to MIL-STD-1275D

### Environmental Conditions

- Operating Temperature : -30°C to +45°C

### Technical Specifications

#### General

- Video : Ethernet(H264), PAL
- Communication : Ethernet
- Input Voltage : 24Vdc (nominal)

#### Thermal Camera

- Detector Type : Cooled, 3-5 µm
- Detector Format : 640x512
- E-Zoom : X2
- Cooldown-Time : < 7 min

#### Laser Range Finder

- Type : Class1, Eye-Safe
- Range : 100m-19000m
- Repetition Rate : 20ppm

#### Day-TV Alternatives

	GUNGOR	GUNGOR-HD	GUNGOR-LR
			
<b>Sensor</b>	1/4" CCD	1/2.8" CMOS	1/2" CCD
<b>Resolution</b>	440K Pixels	2.13M Pixels	437K Pixels
<b>Optical Zoom</b>	36x (Cont.)	30x (Cont.)	60x (Cont.)
<b>Digital Zoom</b>	12x	12x	10x
<b>Horizontal Viewing Angle (Wide - Narrow)</b>	57° - 1.7°	720p/1080p mode 63.7° - 2.3° SD mode 47.8° - 1.7°	28.7° - 0.5°

### Thermal Camera Alternatives

	EYE-S	EYE-M	EYE-L	EYE-XL	EYE_LR-S	EYE_LR-L
						
<b>IR Band</b>	3-5 µm (MWIR)	3-5 µm (MWIR)	3-5 µm (MWIR)	3-5 µm (MWIR)	3-5 µm (MWIR)	3-5 µm (MWIR)
<b>Optical Zoom</b>	Continuous	Continuous	Continuous	Continuous	Continuous	Continuous
<b>Digital Zoom</b>	2x	2x	2x	2x	2x	2x
<b>Field of View</b>						
<b>(Wide)</b>	16.8° x 13.5°	11° x 8.8°	6° x 4.8°	12,2° x 9,75°	35° x 28°	15° x 12°
<b>(Middle)</b>	6° x 4.8°	4° x 3.2°	2.4° x 1.92°	6° x 4.8°	6° x 4.8°	3° x 2.4°
<b>(Narrow)</b>	2° x 1.6°	1.3 x 1.04°	0.8° x 0.64°	0.5° x 0.4°	1.8° x 1.44°	0.9° x 0.72°
<b>Effective Focal Length</b>	275 mm	413 mm	688 mm	1100 mm	300 mm	600 mm

